

### POWER MANAGEMENT

#### Description

The SC431 is a three terminal adjustable shunt regulator with thermal stability guaranteed over temperature. The output voltage can be adjusted to any value from 2.5V ( $V_{REF}$ ) to 30V with two external resistors. The SC431 has a typical dynamic output impedance of  $0.25\Omega$ . Active output circuitry provides a very sharp turn on characteristic, making the SC431 an excellent replacement for zener diodes.

The SC431 shunt regulator is available with four voltage tolerances (0.5%, 1.0% and 2.0% over  $T_A = -40^\circ\text{C}$  to  $+85^\circ\text{C}$  and 0.5% over  $T_A = -40^\circ\text{C}$  to  $+125^\circ\text{C}$ ) and two package options (SOT-23-3 and SO-8). This allows the designer the opportunity to select the optimum combination of cost and performance for their application.

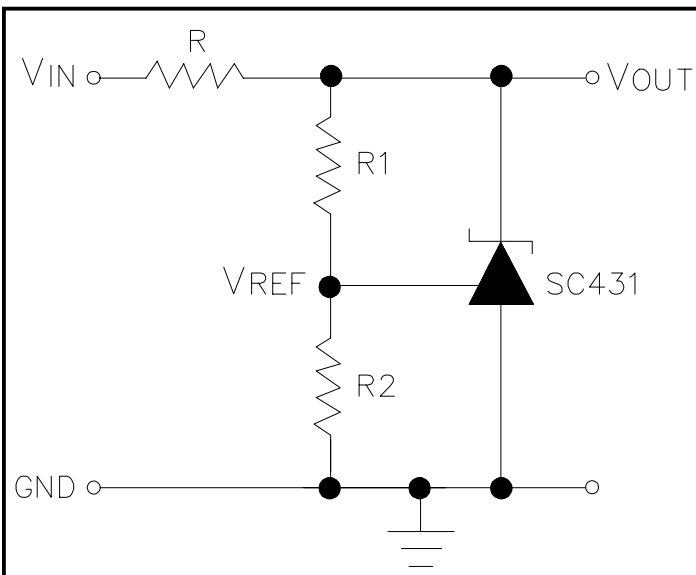
#### Features

- ◆ Wide operating current range 130 $\mu\text{A}$  to 150mA
- ◆ Low dynamic output impedance  $0.25\ \Omega$  typ.
- ◆ Trimmed bandgap design  $\pm 0.5\%$
- ◆ Alternate for TL1431, TL431, LM431 & AS431
- ◆ Industrial temperature range
- ◆ Available in SOT-23-3 and SO-8 packages.  
Also available in Lead-free, fully WEEE and RoHS compliant.

#### Applications

- ◆ Linear Regulators
- ◆ Adjustable Supplies
- ◆ Switching Power Supplies
- ◆ Battery Operated Computers
- ◆ Instrumentation
- ◆ Computer Disk Drives

#### Typical Application Circuit<sup>(1)(2)</sup>



#### Notes:

- 1) Set  $V_{OUT}$  according to the following equation:

$$V_{OUT} = V_{REF} \left( 1 + \frac{R1}{R2} \right) + I_{REF} R1$$

- 2) Choose the value for R as follows:

- The maximum limit for R should be such that the cathode current,  $I_z$ , is greater than the minimum operating current (130 $\mu\text{A}$ ) at  $V_{IN(MIN)}$ .
- The minimum limit for R should be such that  $I_z$  does not exceed 150mA under all load conditions, and the instantaneous turn-on value for  $I_z$  does not exceed 200mA. Both of the following conditions must be met:

$$R_{min} \geq \frac{V_{IN(max)}}{200\text{mA}} \quad (\text{to limit instantaneous turn-on } I_z)$$

$$R_{min} \geq \frac{V_{IN(max)} - V_{OUT}}{I_{OUT(min)} + 150\text{mA}} \quad (\text{to limit } I_z \text{ under normal operating conditions})$$

**POWER MANAGEMENT**
**Absolute Maximum Ratings**

Exceeding the specifications below may result in permanent damage to the device, or device malfunction. Operation outside of the parameters specified in the Electrical Characteristics section is not implied.

Parameter	Symbol	Maximum	Units
Cathode Voltage	$V_Z$	31	V
Continuous Cathode Current	$I_Z$	150	mA
Reference Input Current	$I_{REF}$	10	mA
Power Dissipation at $T_A = 25^\circ\text{C}$ SOT-23-3 SO-8	$P_D$	0.37 0.78	W
Thermal Resistance SOT-23-3 SO-8	$\theta_{JA}$	336 163	$^\circ\text{C/W}$
Operating Ambient Temperature Range SC431Cx-.5, SC431Cx-1, SC431Cx-2 SC431CxQ	$T_A$	-40 to +85 -40 to +125	$^\circ\text{C}$
Operating Junction Temperature Range	$T_J$	-40 to +150	$^\circ\text{C}$
Storage Temperature Range	$T_{STG}$	-65 to +150	$^\circ\text{C}$
Lead Temperature (Soldering) 10 seconds	$T_{LEAD}$	300	$^\circ\text{C}$
ESD Rating (Human Body Model)	$V_{ESD}$	2	kV

**Electrical Characteristics**

Unless specified:  $T_A = 25^\circ\text{C}$ . Values in **bold** apply over full operating ambient temperature range.

Parameter	Symbol	Condition	SC431Cx-.5, SC431CxQ			SC431Cx-1			Units
			Min	Typ	Max	Min	Typ	Max	
Reference Voltage	$V_{REF}$	$V_Z = V_{REF}, I_Z = 10\text{mA}^{(1)}$	2.482	2.495	2.507	2.470	2.495	2.520	V
$V_{REF}$ Temp Deviation	$V_{DEV}$	$V_Z = V_{REF}, I_Z = 10\text{mA}^{(1)}$		<b>8</b>	<b>17</b>		<b>8</b>	<b>25</b>	mV
Ratio of Change in $V_{REF}$ to Change in $V_Z$	$\frac{\Delta V_{REF}}{\Delta V_Z}$	$I_Z = 10\text{mA}, \Delta V_Z = 10\text{V to } V_{REF}$ $I_Z = 10\text{mA}, \Delta V_Z = 30\text{V to } 10\text{V}$		-0.5 -1.0	-2.7 -2.0		-0.5 -1.0	-2.7 -2.0	mV/V
Reference Input Current	$I_{REF}$	$R1 = 10\text{k}\Omega, R2 = \infty,$ $I_Z = 10\text{mA}^{(2)}$		0.5	4		0.5	4	$\mu\text{A}$
$I_{REF}$ Temperature Deviation	$I_{REF(DEV)}$	$R1 = 10\text{k}\Omega, R2 = \infty,$ $I_Z = 10\text{mA}^{(2)}$		<b>0.4</b>	<b>1.2</b>		<b>0.4</b>	<b>1.2</b>	$\mu\text{A}$
Off-State Cathode Current	$I_{Z(OFF)}$	$V_{REF} = 0\text{V}, V_Z = 30\text{V}^{(3)}$		0.04	0.50		0.04	0.50	$\mu\text{A}$
Dynamic Output Impedance	$r_z$	$f < 1\text{kHz}, V_Z = V_{REF}$ $I_Z = 130\mu\text{A to } 100\text{mA}^{(1)}$		0.25	0.50		0.25	0.50	$\Omega$
Minimum Operating Current	$I_{Z(MIN)}$	$V_Z = V_{REF}^{(1)}$			130			130	$\mu\text{A}$

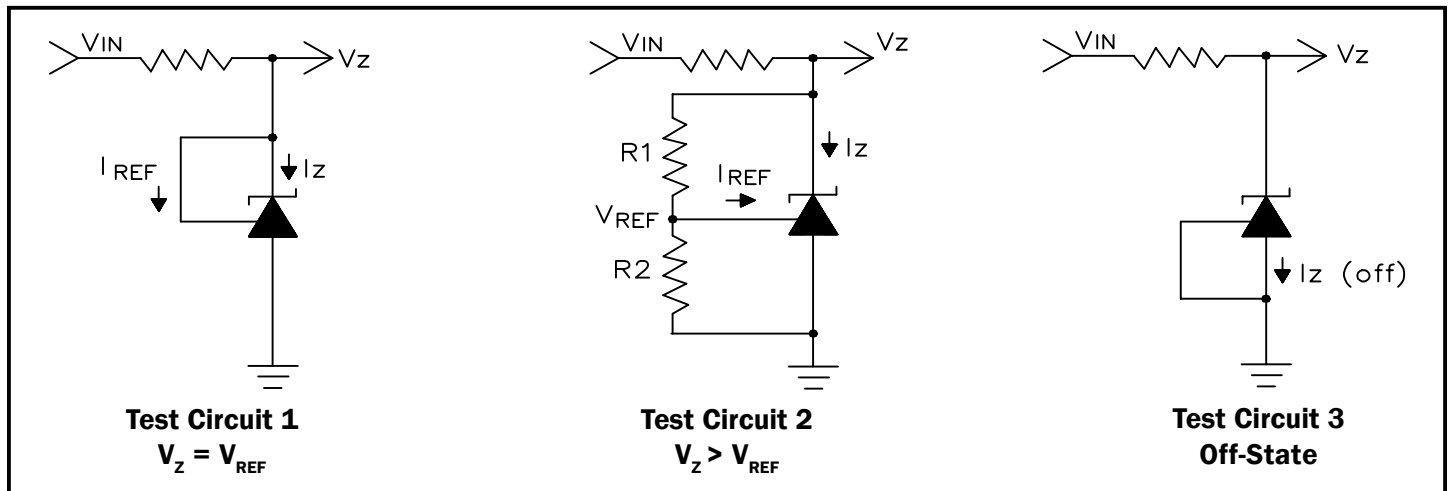
**POWER MANAGEMENT**
**Electrical Characteristics (Cont.)**

 Unless specified:  $T_A = 25^\circ\text{C}$ . Values in **bold** apply over full operating ambient temperature range.

Parameter	Symbol	Condition	SC431Cx-2			Units
			Min	Typ	Max	
Reference Voltage	$V_{REF}$	$V_Z = V_{REF}, I_Z = 10\text{mA}^{(1)}$	2.445	2.495	2.545	V
$V_{REF}$ Temp Deviation	$V_{DEV}$	$V_Z = V_{REF}, I_Z = 10\text{mA}^{(1)}$		<b>15</b>	<b>30</b>	mV
Ratio of Change in $V_{REF}$ to Change in $V_Z$	$\frac{\Delta V_{REF}}{\Delta V_Z}$	$I_Z = 10\text{mA}, \Delta V_Z = 10\text{V to } V_{REF}$		-0.5	-2.7	mV/V
		$I_Z = 10\text{mA}, \Delta V_Z = 30\text{V to } 10\text{V}$		-1.0	-2.0	
Reference Input Current	$I_{REF}$	$R1 = 10\text{k}\Omega, R2 = \infty, I_Z = 10\text{mA}^{(2)}$		0.5	4	$\mu\text{A}$
$I_{REF}$ Temperature Deviation	$I_{REF(DEV)}$	$R1 = 10\text{k}\Omega, R2 = \infty, I_Z = 10\text{mA}^{(2)}$		<b>0.4</b>	<b>1.2</b>	$\mu\text{A}$
Off-State Cathode Current	$I_{Z(OFF)}$	$V_{REF} = 0\text{V}, V_Z = 30\text{V}^{(3)}$		0.04	0.50	$\mu\text{A}$
Dynamic Output Impedance	$r_z$	$f < 1\text{kHz}, V_Z = V_{REF}, I_Z = 130\mu\text{A to } 100\text{mA}^{(1)}$		0.25	0.50	$\Omega$
Minimum Operating Current	$I_{Z(MIN)}$	$V_Z = V_{REF}^{(1)}$			130	$\mu\text{A}$

**Notes:**

- (1) See Test Circuit 1 below.
- (2) See Test Circuit 2 below.
- (3) See Test Circuit 3 below.

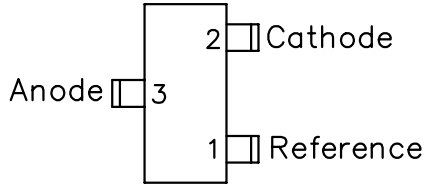
**Test Circuits**

**Recommended Operating Conditions**

	Min	Max	Symbol
Cathode Voltage, $V_Z$	$V_{REF}$	30	V
Cathode Current, $I_Z$	0.130	150	mA

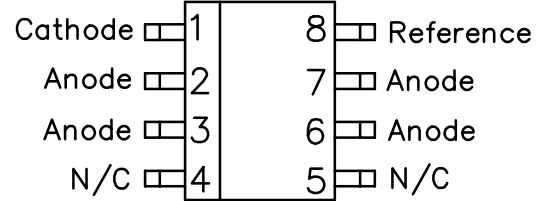
**POWER MANAGEMENT**

**Pin Configurations**

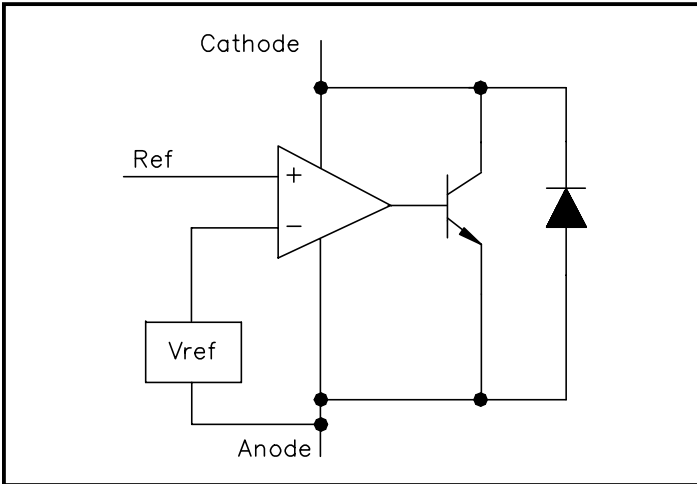
**SOT-23-3 (Top View)**



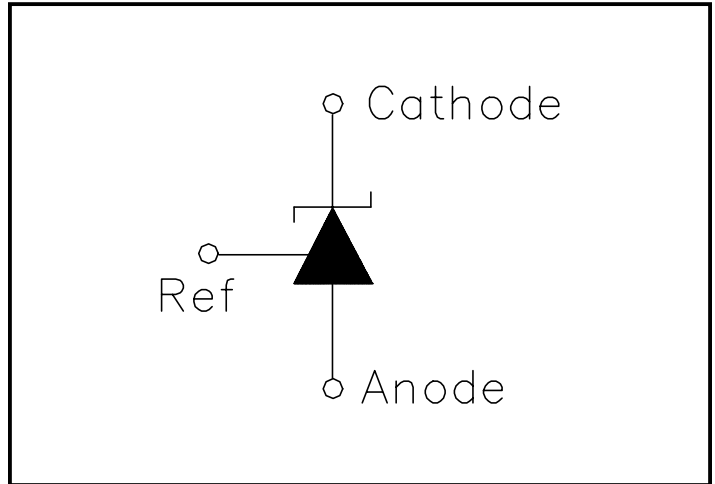
**SO-8 (Top View)**



**Block Diagram**



**Symbol**



**Ordering Information**

Tolerance	0.5%	0.5%	1.0%	2.0%
Ambient Temperature Range	-40°C to +85°C	-40°C to +125°C	-40°C to +85°C	-40°C to +85°C
SOT-23-3 <sup>(1)</sup>	SC431CSK-.5 TR	SC431CSKQTR	SC431CSK-1.TR	SC431CSK-2.TR
SOT-23-3 <sup>(1),(3)</sup>	SC431CSK-.5TRT	SC431CSKQTRT	SC431CSK-1TRT	SC431CSK-2TRT
SO-8 <sup>(2)</sup>	SC431CS-.5 TR	SC431CSQTR	SC431CS-1.TR	SC431CS-2.TR
SO-8 <sup>(2),(3)</sup>	SC431CS-.5 TRT	SC431CSQTRT	SC431CS-1.TR	SC431CS-2.TR

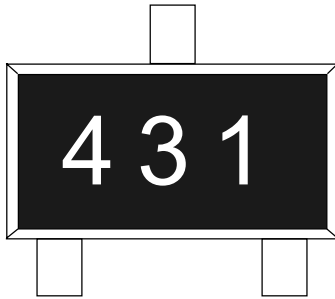
**Notes:**

- (1) Only available in tape and reel packaging. A reel contains 3000 devices.
- (2) Only available in tape and reel packaging. A reel contains 2500 devices.
- (3) "T" at end of part number indicates "lead free". This product is fully WEEE and RoHS compliant.

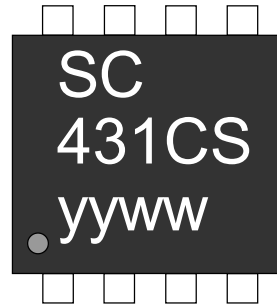
**POWER MANAGEMENT**

**Marking Information**

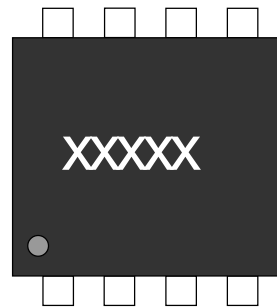
**SOT-23-3 (Top View)**



**S0-8 (Top View)**



**S0-8 (Bottom View)**

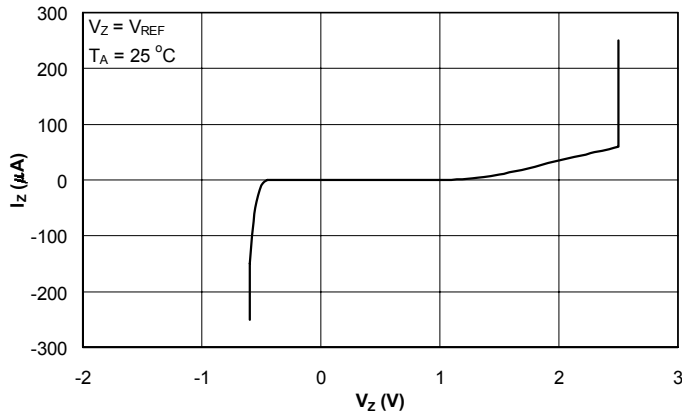


**yyww = Datecode (Example: 0008)**  
**xxxxx = Semtech Lot # (Example: 00101)**

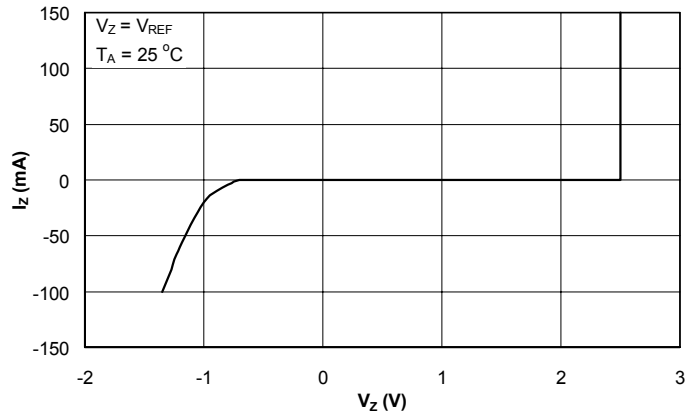
**POWER MANAGEMENT**

**Typical Characteristics**

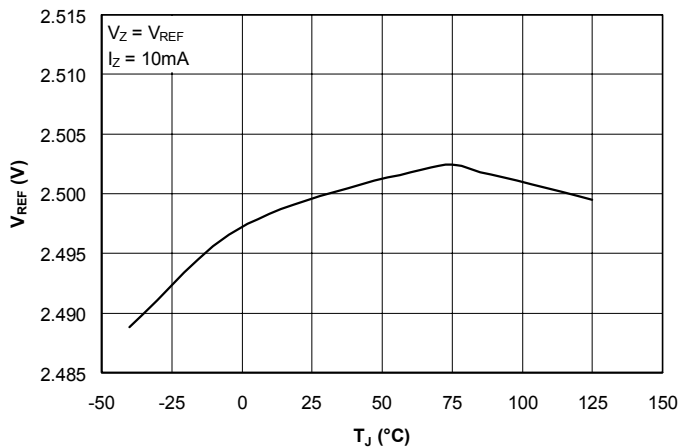
**Cathode Current vs. Cathode Voltage**



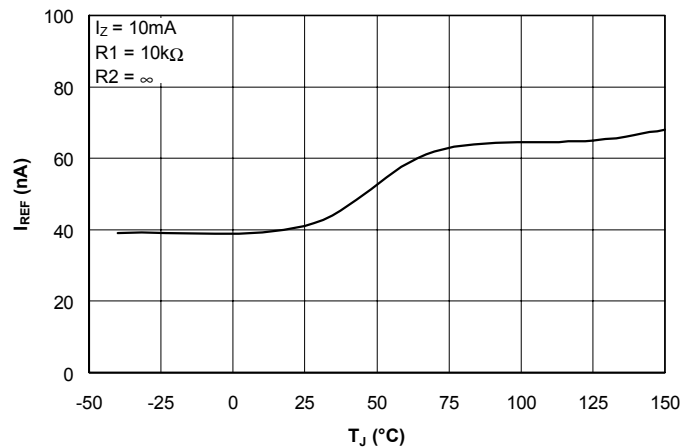
**Cathode Current vs. Cathode Voltage**



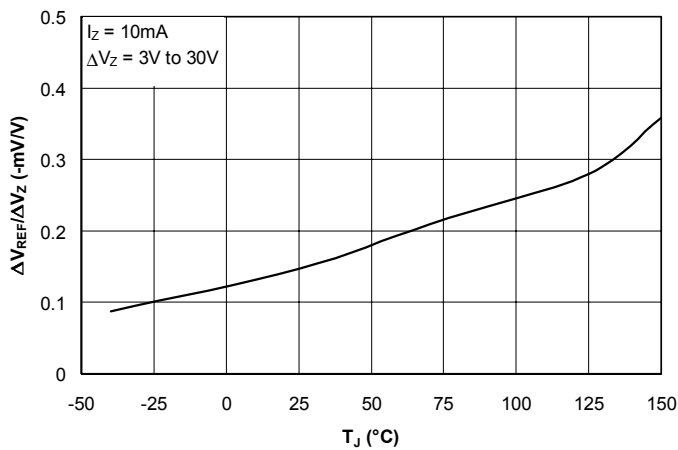
**Reference Voltage vs. Junction Temperature**



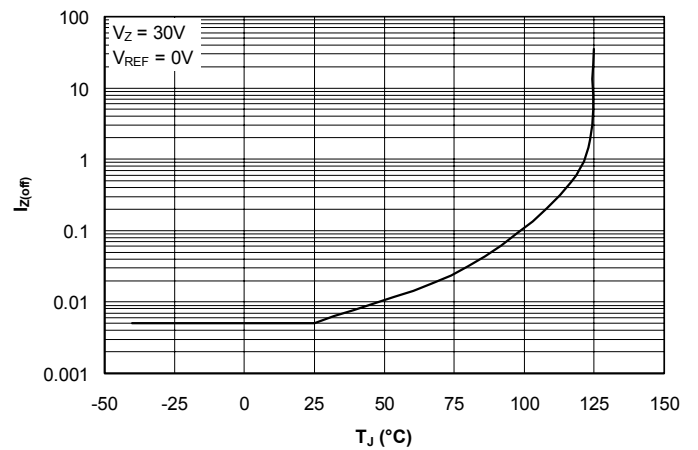
**Reference Input Current vs. Junction Temperature**



**Ratio of Delta Reference Voltage to Delta Cathode Voltage vs. Junction Temperature**



**Off-State Cathode Current vs. Junction Temperature**

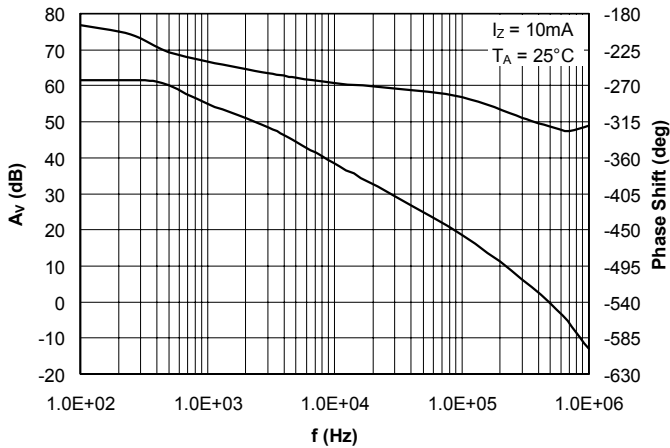


**POWER MANAGEMENT**

**Typical Characteristics (Cont.)**

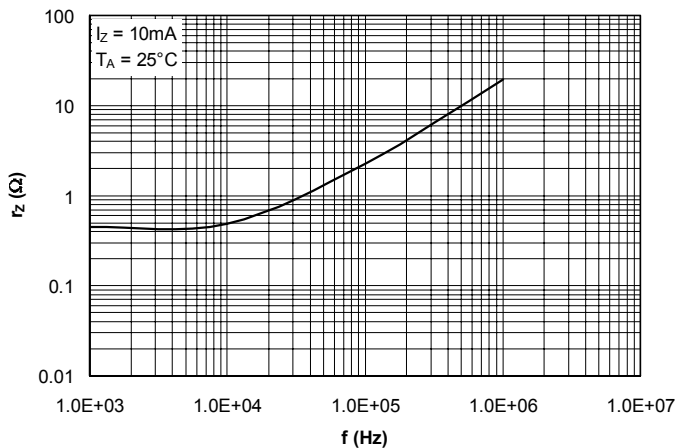
**Small-Signal Gain and Phase Shift**

**vs. Frequency**

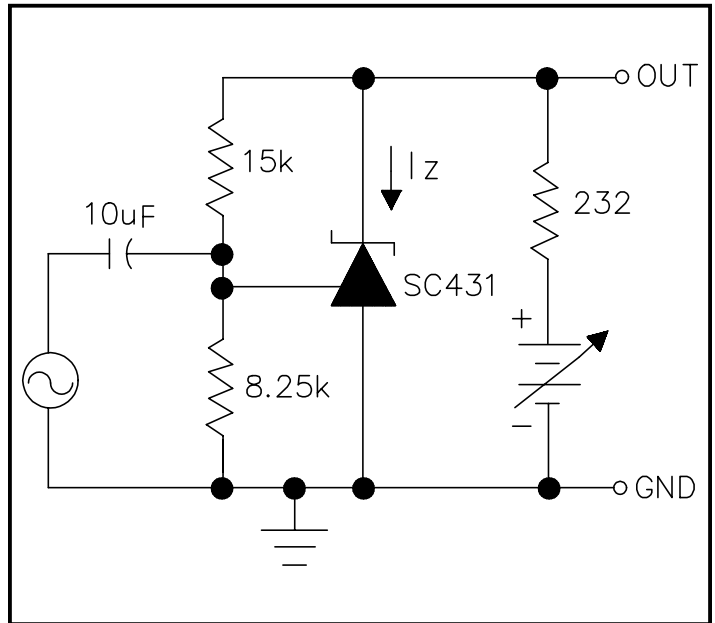


**Reference Impedance**

**vs. Frequency**

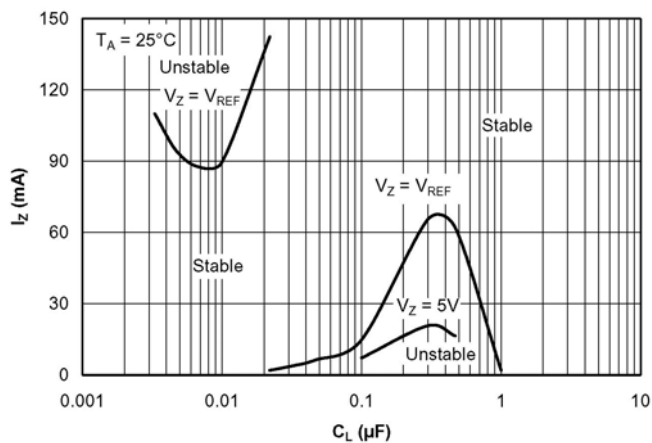


**Test Circuit - Small-Signal Gain and Phase**

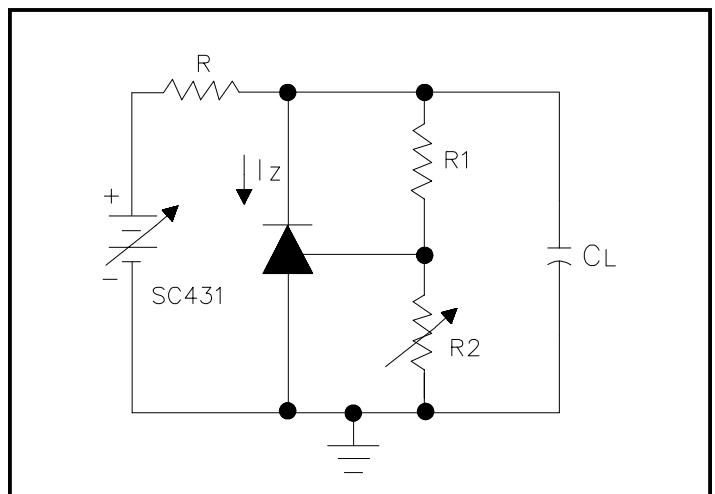


**Stability Boundary Condition For Shunt Regulation**

**vs. Cathode Current and Load Capacitance**

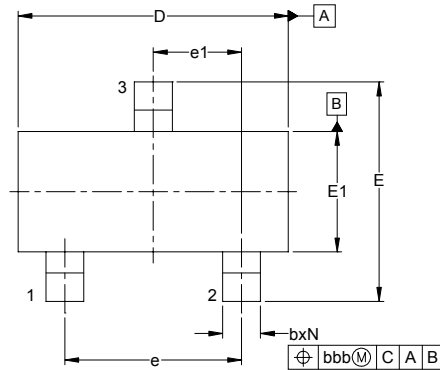


**Test Circuit - Stability**

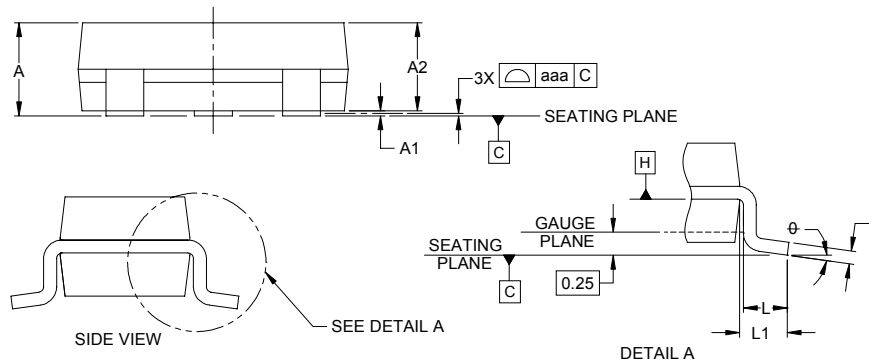


**POWER MANAGEMENT**

**Outline Drawing - SOT-23-3**

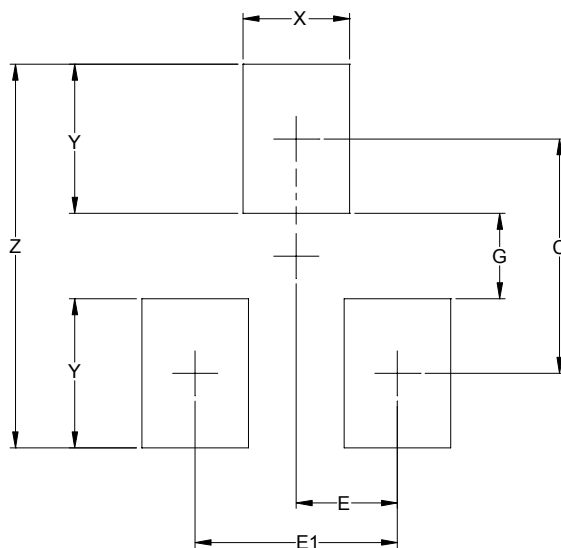


DIM	INCHES			MILLIMETERS		
	MIN	NOM	MAX	MIN	NOM	MAX
A	.035	-	.044	0.89	-	1.12
A1	.000	-	.004	0.01	-	0.10
A2	.035	.037	.040	0.88	0.95	1.02
b	.012	-	.020	0.30	-	0.51
c	.003	-	.007	0.08	-	0.18
D	.110	.114	.120	2.80	2.90	3.04
E	.082	.093	.104	2.10	2.37	2.64
E1	.047	.051	.055	1.20	1.30	1.40
e	.075			1.90 BSC		
e1	.037			0.95 BSC		
L	.015	.020	.024	0.40	0.50	0.60
L1	.022			(0.55)		
N	3			3		
φ	0°	-	8°	0°	-	8°
aaa	.004			0.10		
bbb	.008			0.20		



- NOTES:
1. CONTROLLING DIMENSIONS ARE IN MILLIMETERS (ANGLES IN DEGREES).
  2. DATUMS **-A-** AND **-B-** TO BE DETERMINED AT DATUM PLANE **-H-**
  3. DIMENSIONS "E1" AND "D" DO NOT INCLUDE MOLD FLASH, PROTRUSIONS OR GATE BURRS.

**Land Pattern - SOT-23-3**



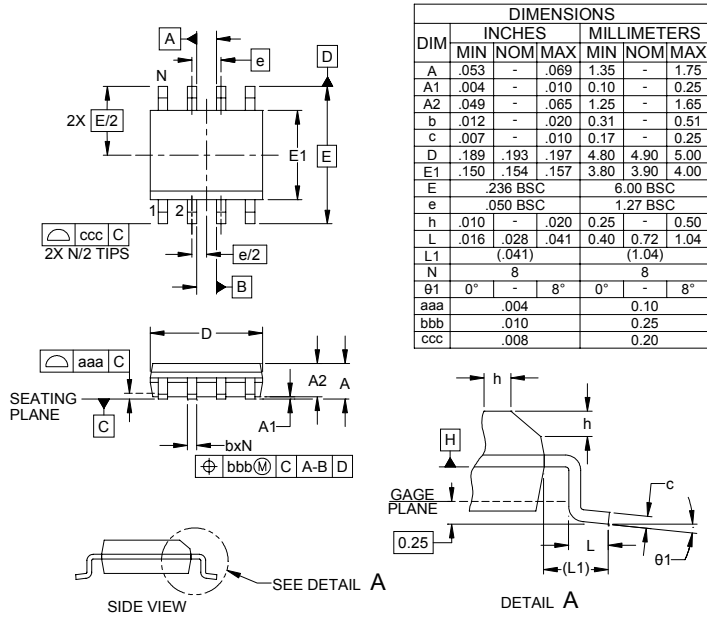
DIM	DIMENSIONS	
	INCHES	MILLIMETERS
C	(.087)	(2.20)
E	.037	0.95
E1	.075	1.90
G	.031	0.80
X	.039	1.00
Y	.055	1.40
Z	.141	3.60

- NOTES:
1. THIS LAND PATTERN IS FOR REFERENCE PURPOSES ONLY CONSULT YOUR MANUFACTURING GROUP TO ENSURE YOUR COMPANY'S MANUFACTURING GUIDELINES ARE MET.
  2. REFERENCE IPC-SM-782A.



**POWER MANAGEMENT**

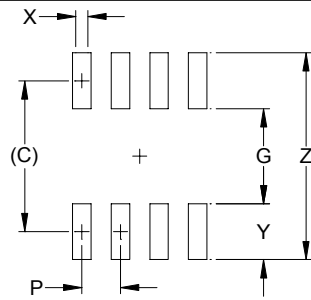
**Outline Drawing - SO-8**



DIM	INCHES			MILLIMETERS		
	MIN	NOM	MAX	MIN	NOM	MAX
A	.053	-	.069	1.35	-	1.75
A1	.004	-	.010	0.10	-	0.25
A2	.049	-	.065	1.25	-	1.65
b	.012	-	.020	0.31	-	0.51
c	.007	-	.010	0.17	-	0.25
D	.189	.193	.197	4.80	4.90	5.00
E1	.150	.154	.157	3.80	3.90	4.00
E	.236 BSC			6.00 BSC		
e	.050 BSC			1.27 BSC		
h	.010	-	.020	0.25	-	0.50
L	.016	.028	.041	0.40	0.72	1.04
L1	(0.041)			(1.04)		
N	8			8		
θ1	0°	-	8°	0°	-	8°
aaa	.004			0.10		
bbb	.010			0.25		
ccc	.008			0.20		

- NOTES:
1. CONTROLLING DIMENSIONS ARE IN MILLIMETERS (ANGLES IN DEGREES).
  2. DATUMS [-A-] AND [-B-] TO BE DETERMINED AT DATUM PLANE [-H-]
  3. DIMENSIONS "E1" AND "D" DO NOT INCLUDE MOLD FLASH, PROTRUSIONS OR GATE BURRS.
  4. REFERENCE JEDEC STD MS-012, VARIATION AA.

**Land Pattern - SO-8**



DIM	DIMENSIONS	
	INCHES	MILLIMETERS
C	(.205)	(5.20)
G	.118	3.00
P	.050	1.27
X	.024	0.60
Y	.087	2.20
Z	.291	7.40

- NOTES:
1. THIS LAND PATTERN IS FOR REFERENCE PURPOSES ONLY. CONSULT YOUR MANUFACTURING GROUP TO ENSURE YOUR COMPANY'S MANUFACTURING GUIDELINES ARE MET.
  2. REFERENCE IPC-SM-782A, RLP NO. 300A.

**Contact Information**

Semtech Corporation  
 Power Management Products Division  
 200 Flynn Road, Camarillo, CA 93012  
 Phone: (805)498-2111 FAX (805)498-3804